



After Power ON, the Status LED on a Clevertest Plus enabled fitting will display a rapid Green or Red flashing for a period up to 2 minutes.

The Status LED is on the gear-tray of the fitting, which can be accessed upon removal of the diffuser from the mounting base.

Zoneworks, HIVE (HV/HVG) and DATA Monitored Options

Fittings with part numbers -ZW, -HV, - HVG, -DATA are fitted with Zoneworks communications modules (nodes). These fittings are monitored using either Powerline Carrier Technology that utilize the power cable to provide data communication, RF transceiver modules operating in the ISM band or a dedicated data cable to/from data routers installed on a dedicated data trunk connected to a central Server (can also be connected via Ethernet/Internet/Fibre). Zoneworks software on the server is used to monitor, coordinate testing and collate test data from each fitting. Zoneworks Fittings can be commissioned by a single push of the test switch or by scanning the supplied barcode. The LED Test Switch indicator provides a multifunction indication of the status of the fitting during testing and normal operation:

Option	State	LED Operation
ZW, HV, HVG, DATA	Commissioned	LED on Solid (Green)
ZW, DATA	Un-commissioned	Batt plugged-in: yellow 1s, green 1s
		Batt unplugged: red 1s, off 1s
HV, HVG	Un-commissioned	Batt plugged-in: yellow 1s, green 1s
	With network connectivity	Batt unplugged: red 1s, off 1s
HV, HVG	Un-commissioned Without network connectivity	Batt plugged-in: yellow 250mS, green 250mS, yellow 250mS, green 250mS, green 1s
		Batt unplugged: red 250mS, off 250mS, red 250mS, off 250mS, off 1s
ZW, DATA	Emergency Light Test In Progress	LED flashes at yellow 5s , Off 1s
HV, HVG	Emergency Light Test In Progress	LED flashes at yellow 1s , Off 1s

In the case of the DATA version a 2-way “figure 8” cable and terminal block facilitates the connection to the DATA network via a multi-drop bus (daisy chain connection). For further information of installation of a Zoneworks system, please refer to the Zoneworks Users Guide and Commissioning Guide (incl. DATA version)

DALI EM Option

Luminaires with part numbers having -DALI are fitted with DALI modules (nodes) that facilitate connection and integration to 3rd Party Lighting Control Systems. Before installing the -DALI luminaire, please confirm that the Lighting Control System has the capability to monitor DALI Emergency Luminaires. The -DALI fitting will be addressed and configured into the control system by the Lighting Control System Commissioning Technicians and not Clevertronics.

State	LED Operation
Commissioned/ Un-commissioned	LED on Solid (Green)
Emergency Light Test in progress	LED flashes at 1s On (Yellow) & 1s Off
“IDENTIFY COMMAND”	Lamp and Status LED Flash for 30 seconds

A 2-way “figure 8” cable and terminal block facilitates the connection to the DALI network. DALI connections are marked as Da Da.



Classic Universal Weatherproof Exit Installation & Maintenance Instruction Leaflet



Victoria (Head Office & Manufacturing)
 Website: www.clevertronics.com.au
 Email: info@clevertronics.com.au
 Phone: +61 3 9559 2700
 Fax: +61 3 9559 2799
New South Wales
 Phone: +61 2 8805 6400
 Fax: +61 2 8805 6444
Queensland
 Phone: +61 7 3442 9700
 Fax: +61 7 3442 9777
South Australia/Northern Territory
 Phone: +61 8 8301 8800
 Fax: +61 8 8351 8286
Western Australia
 Phone: +61 8 9207 0000
 Fax: +61 8 9207 0088
New Zealand
 Phone: +64 800 548 448

Designed in Australia to comply with the requirements of AS2293.3: 2005 and AS/NZS CISPR15: 2017

NOTE: Standard product codes with this symbol are enabled with Clevertest Plus capability. Please refer to the operation guide supplied with the product for details.

Models: LCWELED-xx-uu-yy-zz-ww

Testing:
 Manual Test xx = Blank
 Zoneworks xx = ZW
 Z/W DATA xx = DATA
 Zoneworks HIVE xx = HV/HVG
 DALI Registered. xx = DALI



Options:
 Running Man zz=R
 Running Man Left Arrow zz=RL
 Running Man Right Arrow zz=RR
 Double sided R/M Arrow zz=RAOW
 Double sided uu=DS
 Special Purpose Sign yy=SP
 4 Hour Run Time ww=4HR

Spare Parts:

- 1530010 Replacement Battery
- 8002430 Replacement Emergency LED Board
- AUM01370130001 Replacement Emergency Driver
- 1530230 Replacement Battery (-4HR Only)

Important:

It is illegal for anyone, except for a licensed electrician to install or maintain this product. Before installation, ensure that the electricity supply has been switched off and isolated. Installation must be carried out in accordance with the relevant Australian and International Standards.

Installation:

The Universal Weatherproof Exit can be pole, ceiling or wall mounted. Please follow the steps below to install the LCWELED.

PREPARATION

- Remove the fitting cover by loosening the (4) screws.
- Remove the gear tray from the fitting base by the removal of the below illustrated screws.



- Locate the mounting position.

CEILING MOUNT

- Using the fitting base, mark out the mounting points and the cable entry.
- Install the fitting base to the ceiling using appropriate fixings.
- Connect power to the gear tray and reinstall to the base.
- Apply power and test the fitting.
- Reinstall the fitting cover.

WALL MOUNT

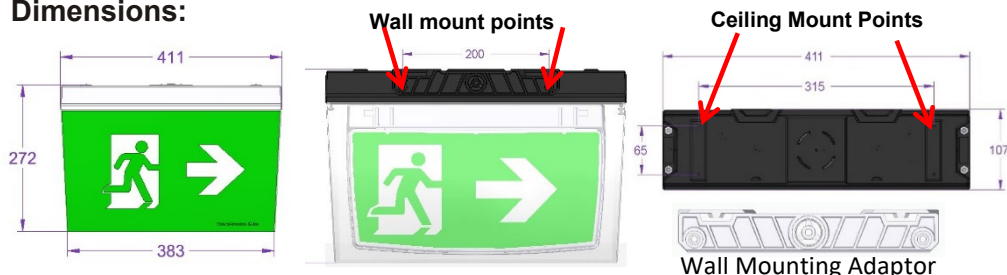
- Using the wall mounting adaptor, mark out the mounting points and cable entry.
- Attach the wall adaptor to the base.
- Attach the base to the wall using appropriate fixings.
- Connect power to the gear tray and reinstall to the base.
- Apply power to the fitting and test.
- Reinstall the fitting cover.

If the CTP capabilities are activated, please affix the CTP status label to a visible surface and Four Segment Marking on the product will include an "F" in third segment block.

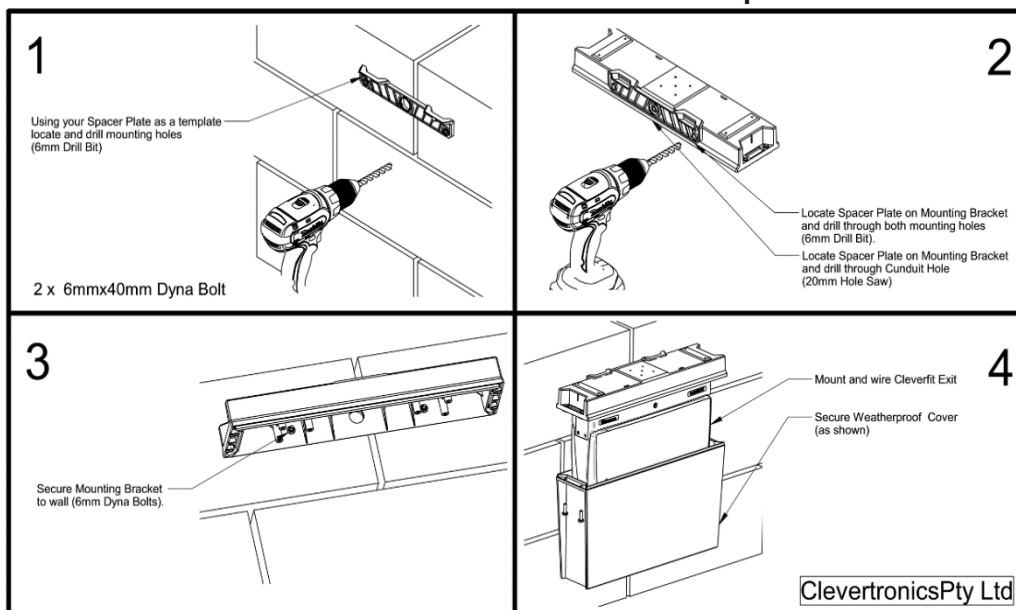
Networking:

When installing the product on a monitored network, (ZONWORKS, DATA, HIVE, DALI) simply insert the relevant Smart Node PCA.

Dimensions:



Wall Mount installation instructions for the Weatherproof Enclosure:



Rated Emergency Lumen Output in accordance with AS2293.1 (refer to spacing tables for installation positions):

Refer to the Technical Label on product for Emergency Classification.

Testing:

Once connected to the 240V mains supply, the unit must be allowed to charge the battery for at least 24 hours. Conduct the following tests:

- For the first test, the emergency lamp must remain illuminated for at least 2 hours after disconnection from the mains supply.
- Subsequent tests require the unit to illuminate for at least 90 minutes. The results of all tests are required to be recorded in a service logbook, which is to be kept on-site at all times. If the unit fails to remain illuminated for the requisite time, remedial action must be taken to repair the situation and once completed, the unit must pass a subsequent test. For more specific information, please refer to the current edition of the AS 2293.3 Standard.

Trouble Shooting:

Below are a list of common problems and their possible causes.

Fault: The Green LED Test Switch indicator is not illuminated.

Check: A.C. is connected and is turned on.
Battery is connected
Test Switch for damage.

Fault: Lamp does not illuminate in emergency mode.

Check: A.C. is connected.
Lamp is correctly inserted.
Battery is connected

Fault: Lamp illuminates in emergency mode, but only stays on for a short period.

Check: Battery has been allowed to charge for at least 24 hours.
Battery for damage.

Battery Replacement:

Use only the battery recommended in the Spares List on this instruction.

Rated Emergency Lumen Output in accordance with AS2293.1, not applicable for -TH (theatre) version (refer to spacing tables for installation positions):

Refer to the Technical Label for classification information.

Caution:

On many building sites, power circuits may be cut off in an uncontrolled and repetitive basis during construction. As a result, any Exit & Emergency Units, on these circuits, will have their batteries discharged or "cycled". The battery in this fitting has been selected to give excellent long-life performance in a controlled AS2293 testing environment. Excessive battery cycling will reduce through-life performance and may lead to premature battery failure. Battery warranty claims, as a result of such abuse, are specifically EXCLUDED from Clevertronics warranty terms.

Warranty:

For Product Warranty information and Terms and Conditions of Sales please refer to our website <http://clevertronics.com.au/terms-conditions-sale-australia-nz/>